

TorqLOC® Hollow Shaft Mounting System

Overview

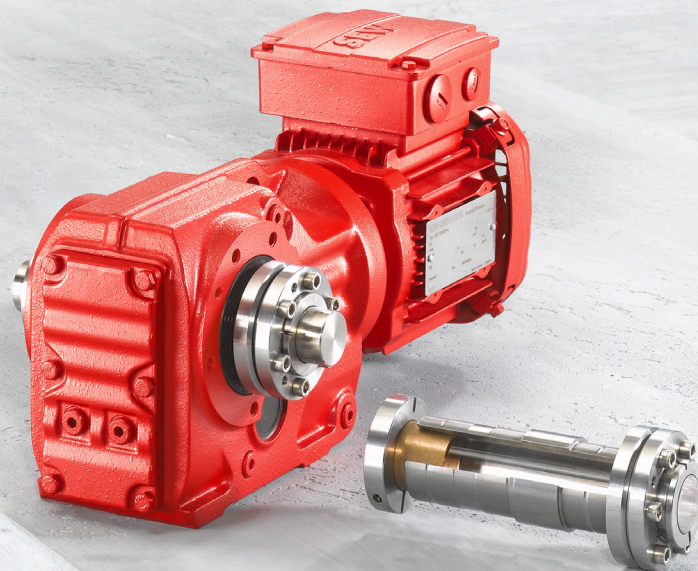
SEW-Eurodrive's patented TorqLOC® is the premier choice for a hollow shaft connection. Its keyless, taper bushing design allows simple installation and disassembly. It is perfect for applications where safety prohibits the use of belts and chains. Plus, its non-fretting and corrosion resistance makes it the perfect solution for wet environments. No need to cut the drive shaft to remove the gear unit!

Unlike a shrink disc that requires a ground shaft with high tolerance, TorqLOC can use stock material without machining. For maximum savings and minimal installation, SEW recommends using TorqLOC on one end of a unmachined drive shaft and a ConCentra pillow block bearing available from SKF on the other end of the drive shaft.

TorqLOC offers advantages to both the OEM and the end user by reducing costs for machining, inventory, and installation.

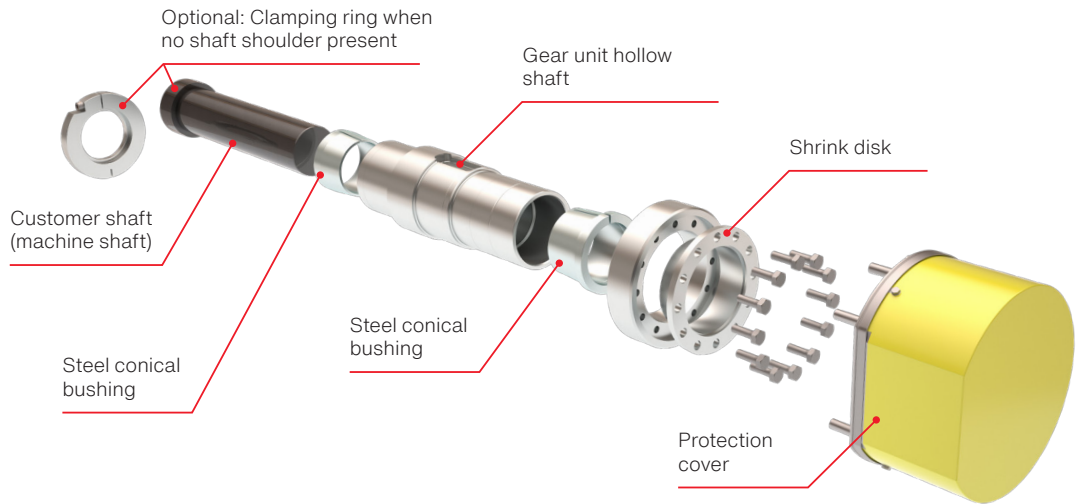
Advantages

- Available on F, K, S and series gear units
- No keyway needed on user's shaft to transmit torque
- No threaded hole needed on user's solid shaft in order to affix the user's shaft to the gear unit
- Liberal shaft tolerance (h11) for user's shaft; cold-rolled or turned shaft stock can be used without additional machining
- Can be used on existing (keyed) shafts without modifications
- Excellent for washdown applications - no corrosion
- No slippage or fretting
- Available in 1045 carbon steel or stainless steel similar to 400 series martensitic/ferritic
- Available in non-symmetrical (mounts on one side only) or symmetrical (mounts on either side)
- Clamping needed on one side only - allows close mounting to machine
- 4-5 bushing diameters for each gear unit to help standardize and to reduce the number of spares
- Available in metric or inch bores
- Unlike other non-SEW taper hollow shafts, TorqLOC does not produce bearing preload or axial movement
- Non-rotating cover supplied as standard to ensure safety



PRODUCT FOCUS

TorqLOC®
Hollow Shaft Mounting System



SEW-EURODRIVE
U.S. Operations:

Midwest Region
SEW-Eurodrive, Inc.
2001 West Main Street
Troy, OH 45373
Telephone: (937) 335-0036
cstroy@seweurodrive.com

Northeast Region
SEW-Eurodrive, Inc.
2107 High Hill Road
Bridgeport, NJ 08014
Telephone: (856) 467-2277
csbridgeport@seweurodrive.com

Southeast Region
SEW-Eurodrive, Inc.
1295 Old Spartanburg Hwy.
Lyman, SC 29365
Telephone: (864) 439-7537
cslyman@seweurodrive.com

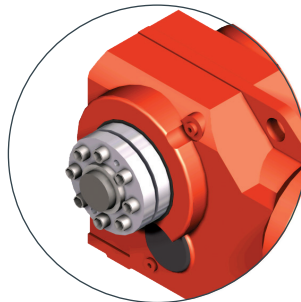
Southwest Region
SEW-Eurodrive, Inc.
202 W. Danieldale Rd.
DeSoto, TX 75115
Telephone: (214) 330-4824
csdallas@seweurodrive.com

Western Region
SEW-Eurodrive, Inc.
30599 San Antonio Street
Hayward, CA 94544
Telephone: (510) 487-3560
cshayward@seweurodrive.com

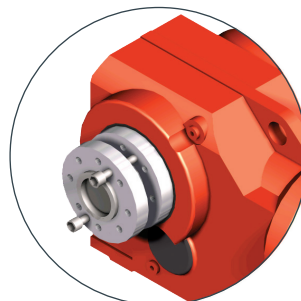
www.seweurodrive.com

**Assembly/
Disassembly**

- The large airgap between the user's shaft and the inside of the TorqLOC hollow shaft ensures easier installation and removal of gear unit even after years of washdown service
- Bolts that are used to tighten may also be used to dismantle the taper bushing
- Additional tools or adapters not required for removal



Assembly



Disassembly

