

PRODUCT FOCUS

SEW EURODRIVE

Screw Conveyor Drive Compact, Flexible, and Removable

NEW for 2020! SEW's enhanced screw conveyor drive takes superior performance to the next level. It's four individual sealing areas provide unprecedented protection against contaminants and abrasives. Plus, its taper bearings provide maximum thrust load capacity required for screw conveyors.

During re-greasing, the expulsion port provides a channel for grease to the V-ring and oil seal as well as a path for excess grease to purge freely. This unique design prevents high pressure that can destroy seals. In addition, SEW's shaft removal tool makes it easy to separate the shaft and flange independently from the gear unit, eliminating the need for trough access or screw removal.

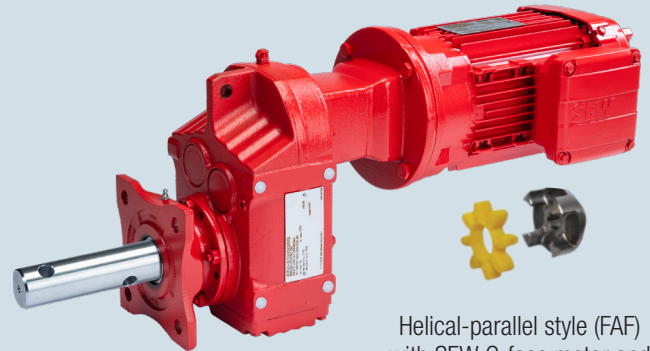
Various motor inputs, two gear unit styles, and numerous ratios provide maximum flexibility and eliminate the need for belts and sheaves. The SEW compact screw conveyor drive is truly the ultimate solution for bulk material handling.

Standard Features

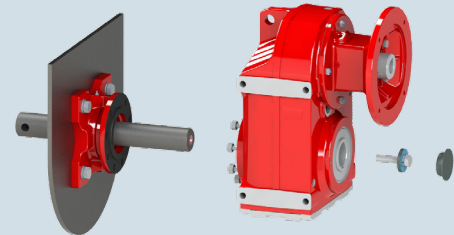
- Four (4) separate sealing components:
 - Labyrinth seal on output shaft formed by V-ring and flange
 - Double-lip seal in flange
 - Nilos steel disc seal (LSTO) for extra protection against abrasive dusts, including grain, flour, coal, and salt
 - Double-lip seal on gear unit output shaft
- Grease nipple with expulsion port to prevent seal damage
- Inspection port to determine seal condition
- Heavy-duty taper bearings for maximum thrust load capacity
- CEMA 2 or 3-hole shaft (optional stainless steel)
- Shaft removal kit for trouble-free disassembly of solid shaft, even in extreme environments
- Removable gear unit - driveshaft and flange remain on trough

Mounting Styles

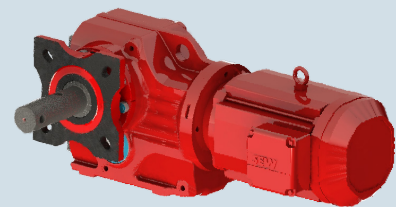
- Integral SEW motor
- Adapter for IEC motor or NEMA C-Face motor
- Platform mounting for use with footed motor
- Helical-parallel (FAF) or Helical-bevel right angle (KAF)



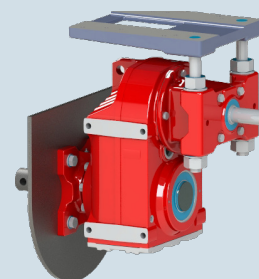
Helical-parallel style (FAF)
with SEW C-face motor and
jaw/spider coupling



SEW shaft removal tool provides easy disassembly; gear unit can be removed independent of shaft and flange



Helical-bevel right angle style (KAF) with integral motor

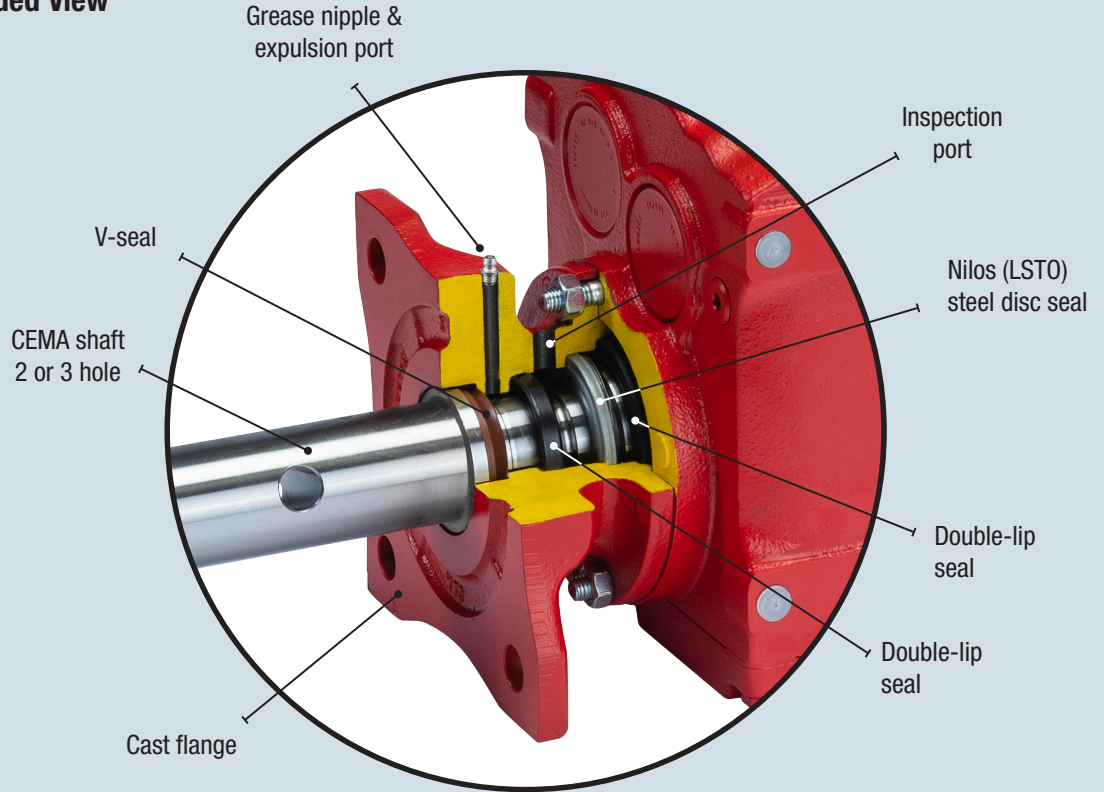


Platform style - provides base for footed motor



PRODUCT FOCUS

Exploded View



U.S. Operations:

Midwest Region

SEW-Eurodrive, Inc.
2001 West Main Street
Troy, OH 45373
Telephone: (937) 335-0036
Fax: (937) 332-0038
cstroy@seweurodrive.com

Northeast Region

SEW-Eurodrive, Inc.
2107 High Hill Road
Bridgeport, NJ 08014
Telephone: (856) 467-2277
Fax: (856) 845-3179
csbridgeport@seweurodrive.com

Southeast Region

SEW-Eurodrive, Inc.
1295 Old Spartanburg Hwy.
Lyman, SC 29365
Telephone: (864) 439-7537
Fax: (864) 439-7830
cslyman@seweurodrive.com

Southwest Region

SEW-Eurodrive, Inc.
202 W. Danieldale Rd.
Desoto, TX 75115
Telephone: (214) 330-4824
Fax: (214) 330-4724
csdallas@seweurodrive.com

Western Region

SEW-Eurodrive, Inc.
30599 San Antonio Street
Hayward, CA 94544
Telephone: (510) 487-3560
Fax: (510) 487-6433
cshayward@seweurodrive.com

Shaft Diameters & Maximum Axial Load Ratings

Size	Max. Axial Load Rating (lbs)*		CEMA Drive Shaft (2-Hole or 3-Hole)				
	FAF	KAF	1-1/2"	2"	2-7/16"	3"	3-7/16"
37	2360	2360	√	-	-	-	-
47	2500	3370	√	√	-	-	-
57	3780	3550	√	√	√	-	-
67	4160	3750	√	√	√	√	-
77	6740	4500	-	√	√	√	-
87	9620	6740	-	-	√	√	√
97	12810	8990	-	-	-	√	√

*Axial rating may vary, depending on ratio and input power.

About SEW-EURODRIVE...

Our product is motion. Our focus is solutions. As a worldwide supplier of innovative gearing, motor, and electronic drive technology, we have been solving problems in large and small applications within virtually every industry since 1931.

Locally in the US, we have 5 assembly centers where we provide final assembly, custom modifications, and assistance with project planning, startup, and training. All products are backed by our industry-leading 24/7 support program.