

Specialized Drives for Grain Solvent Extraction

DT/ DC drives from SEW-EURODRIVE — gear units designed to drive desolventizer/toaster equipment



Startup and maintenance – industrial gear unit service

The comprehensive technical expertise of SEW-EURODRIVE ensures the reliability of your operation. From startup to retrofiting, our service experts are available with advice and assistance – even for third-party products. We can provide service on site or at our facilities.

Our service experts inspect and maintain your drive technology and drive automation. They will assist you with your maintenance strategy and give you advice on how to optimize your maintenance. Every service expert is trained on the latest drive and automation technology.

Our comprehensive service for industrial gear units includes:

Startup

- Installation and laser-based drive adjustment
- Coordinated startup support
- First oil filling
- Production support and monitoring

Inspection and maintenance

- Inspection and maintenance schedule
- On-site inspections
- Condition monitoring consulting and installation
- Inspection scope examination and gear unit diagnostics
- Oil management: oil change after run-in period, complete oil service (change, refill, disposal)
- Oil quality analysis

Repair

- Damaged and worn parts replacement
- Complete overhaul
- Repair of housings and shafts
- Gearing components and shafts based on templates and drawings

Retrofitting

- Existing component replacement
- Customization
- Integrating energy efficiency aspects
- Exact reproduction of your components



Specialized Drives for Solvent Extractors

The DT and DC drives from SEW-EURODRIVE are specifically designed to drive desolventizer/toaster equipment that removes the solvent and dries grain material so you are left with a dry and flaky or granular 'meal'.

The unique design of these drives delivers the power and strength required to meet grain processing demands.

100 to 1,000 HP input power

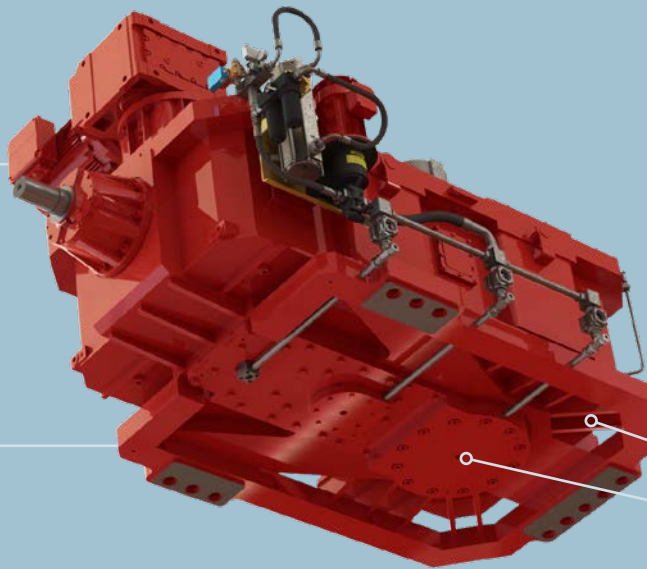
Extreme heavy duty

Stiff bearing supports

Steel welded fabrication

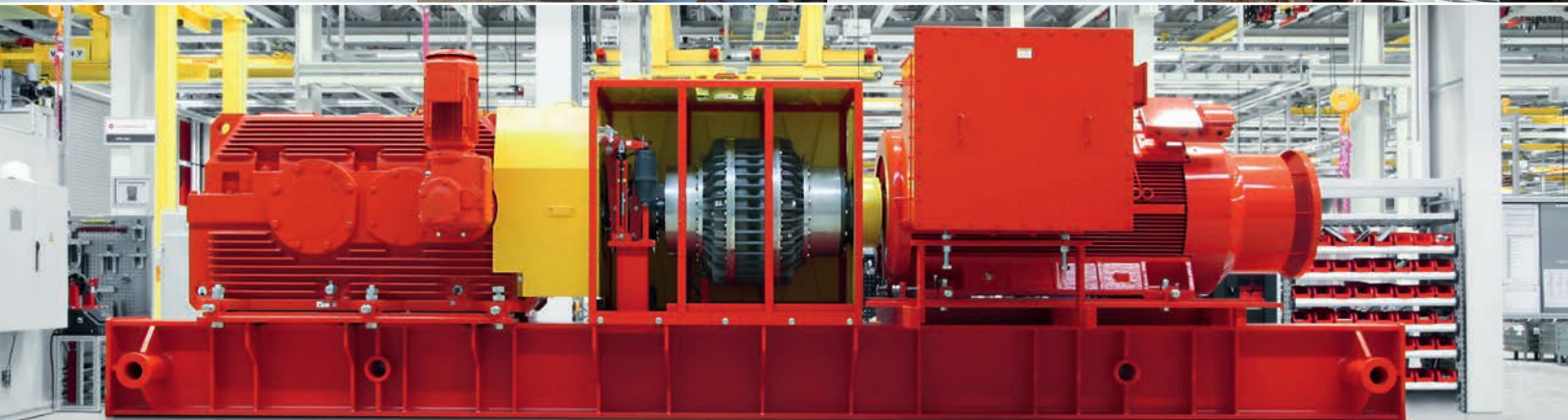
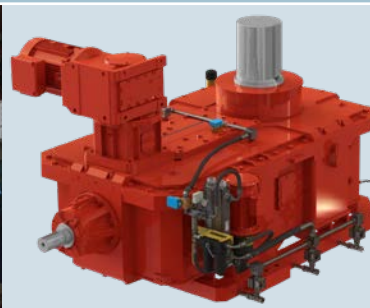
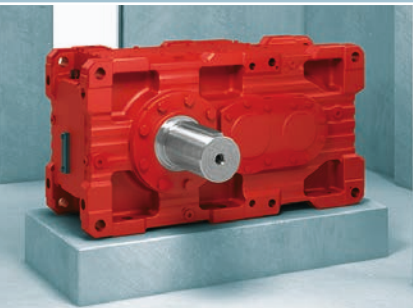
FEA optimized

Self-supporting housing



Ribs for extra rigidity

No additional bearing support required



Lubrication and Cooling

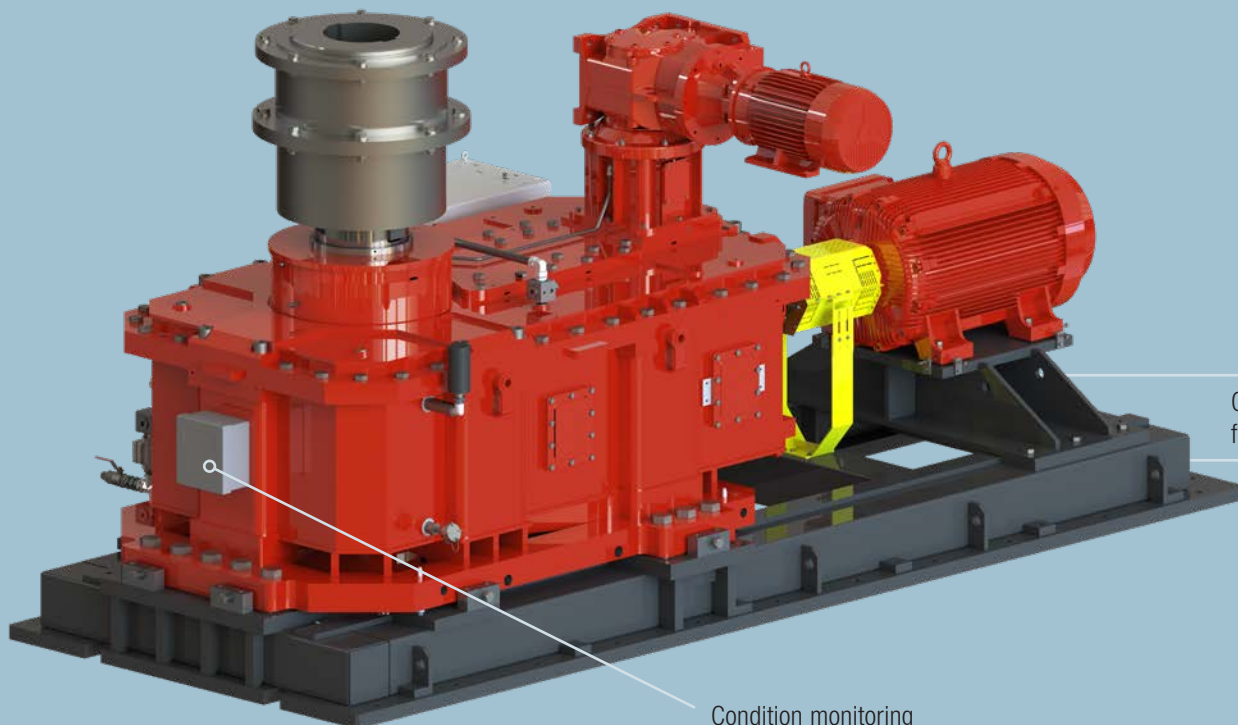
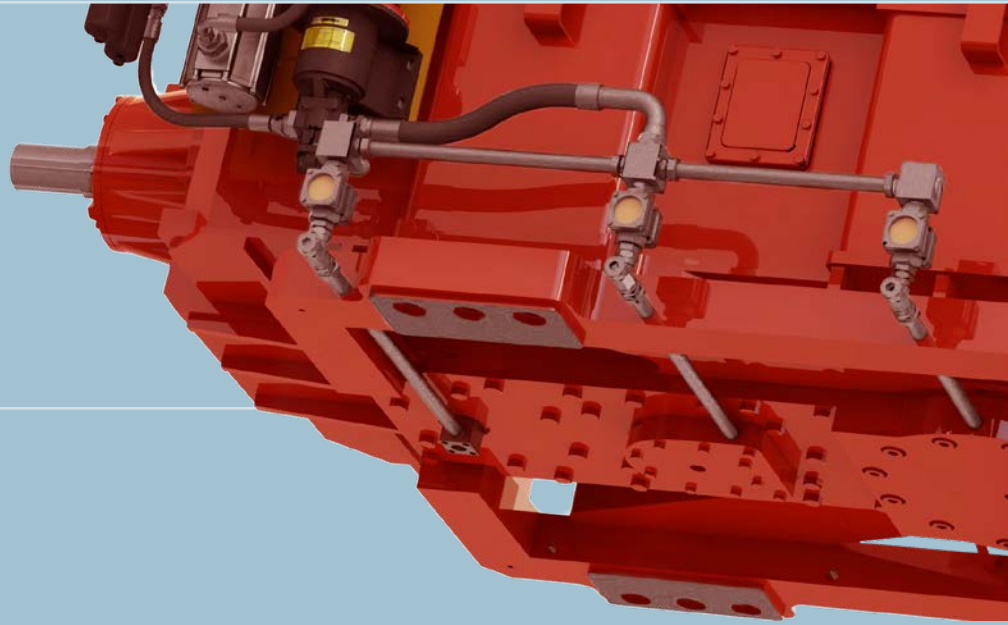
Each bottom bearing has an oil sampling port and oil drain

Each suction line has a visual oil flow indicator

Simple maintenance of drain lines without removing gear unit

Proper lower bearing cooling and lubrication

No condensation or debris accumulation possible

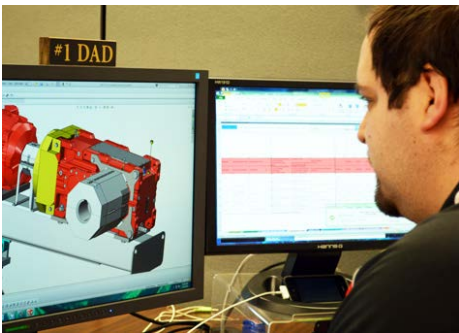


Oil-air, oil-water, and fan cooling available

Condition monitoring packages available

Customer Support




- Customer service
 - Project coordination
 - Weekend and after-hours service
- Application engineering for all industrial gearing products
- Design engineering for customized solutions
- Logistics, including purchasing and inventory control
- After-sale service and repair



Delivery Capabilities

Our Industrial Gear facility in Wellford, South Carolina maintains one of North America's largest inventories of industrial gearing components, allowing for expedited delivery as fast as 48 hours.

- Market-leading short delivery times and on-time delivery performance
- Average delivery time of 2-3 weeks, when using our Expedited Delivery Program

		Regular lead time	Expedited Delivery Program	Rush 48 hour emergency
	P Series	✓	✓	✓
	X Series	✓	✓	
	MC Compact Series	✓	✓	
	M1 Series	✓		

Driving the world.

U.S. Operations

Southeast Region (U.S. Headquarters)

220 Finch Road
Wellford, SC 29385
P: (864) 439-7537
cslyman@seweurodrive.com

Midwest Region

2001 West Main St.
Troy, OH 45373
P: (937) 335-0036
cstroy@seweurodrive.com

Northeast Region

2107 High Hill Rd.
Bridgeport, NJ 08014
P: (856) 467-2277
csbridgeport@seweurodrive.com

Southwest Region

202 W. Danieldale Rd.
DeSoto, TX 75115
P: (214) 330-4824
csdallas@seweurodrive.com

Western Region

30599 San Antonio St.
Hayward, CA 94544
P: (510) 487-3560
cshayward@seweurodrive.com

Large Industrial Gears

148 Finch Rd.
Wellford, SC 29385
P: (864) 439-8792
igorders@seweurodrive.com

www.seweurodrive.com

**SEW
EURODRIVE**